

# NoiseMeters

## Noise Nuisance Recorder

Product Code NNR63xxx

### Quick User Guide



Additional Information:  
[support.noisemeters.com](http://support.noisemeters.com)





# CONTENTS

Introduction	1
Setting Up	2
NNR Mode	3
Starting a Measurement	4
Recording Audio	5
Ending a Measurement	6



**Noise Nuisance Recorder**

## **Introduction**

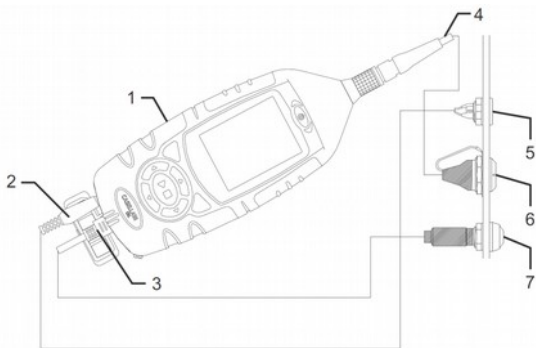
The Noise Nuisance Recorder is designed to monitor neighbour noise - music, dogs, shouting, banging. The system combines accurate acoustic measurement with the ability to record the audio for use in identifying the source and as evidence.

The Sound Level Meter is enclosed in a secure and unobtrusive case. All the complainant has to do is press a button when they want the audio to be recorded.

## **Powering the Noise Nuisance Recorder**

When deployed for extended periods, the system will typically be powered from an external power supply (included). It may also be powered from its internal AA batteries for around 10 hours. The batteries can be left in place when running from external power, allowing the meter to continue operating in case of a power failure.

---

**Setting Up**

The CEL63x sound level meter, power supply and preamplifier should be connected as shown above.

1. CEL63x Sound Level Meter
2. D.C. Power Socket
3. USB Connection
4. Microphone Connection
5. External Power Connection
6. Connect to Microphone Preamplifier
7. Record Button and LED

## NNR Mode

### Selecting NNR Mode

If the meter is not already in NNR mode (it has been used for other applications) then:

- Switch on
- Press and hold the ◀ and ▶
- Select **Mode** and then **NNR**



In NNR mode the meter automatically sets the inputs and triggers up. It also sets up the audio recording for typical Noise Nuisance applications. These settings can be viewed and changed from within the **Settings** menu. By default the maximum audio capture time is set to 1 minute (maximum is 15 minutes).

## Starting a Measurement

### Calibration

Once switched on, the meter will automatically request a Calibration. Switch the Calibrator on, fit it to the microphone and follow the instructions on screen.



### Voice Note

After Calibration the meter will prompt you to record a voice note. Press and hold the **Rec** key to record, **Exit** to finish (or skip).

### Start Measuring

At this point the meter starts running automatically.



---

**Recording Audio**

Press the button on the outside of the box to start the audio recording.



The button flashes while recording is in progress.

Press the button again to stop recording. If the button is not pressed then the audio recording will stop once the maximum event time is reached - by default this is set to 1 minute to avoid having long recordings to listen to. It can be changed from within the setup menu.

---

### Ending a Measurement

To finish the measurement process, usually after a few days of measuring and recording, simply open the case and press the **Run/Stop** key on the meter.



### Post Measurement Calibration

The meter will now prompt you to carry out a post-measurement calibration. Switch the Calibrator on and fit it onto the microphone. Follow the on-screen instructions.



## **Contacting NoiseMeters**

### **UK**

Tel: 0845 680 0312  
Fax: 0845 680 0316  
Email: [info@noisemeters.co.uk](mailto:info@noisemeters.co.uk)  
Web: [www.noisemeters.co.uk](http://www.noisemeters.co.uk)

### **USA**

Tel: 888 206 4377  
Fax: 888 584 2230  
Email: [info@noisemeters.com](mailto:info@noisemeters.com)  
Web: [www.noisemeters.com](http://www.noisemeters.com)

### **International**

Tel: +44 845 680 0313  
Fax: +44 845 680 0316  
Email: [info@noisemeters.com](mailto:info@noisemeters.com)  
Web: [www.noisemeters.com](http://www.noisemeters.com)

### **NoiseMeters Limited**

7 Jayes Park  
Ockley  
RH5 5RR  
United Kingdom

### **NoiseMeters Inc**

3233 Coolidge Hwy  
Berkley  
MI 48072  
USA